

XMLP100RD23F

pressure transmitter 100psi - 4..20mA -
1/4-18NPT male - FPM - M12

Product availability: Stock - Normally stocked in distribution facility



Main

| | |
|---------------------------|---|
| Range of product | OsiSense XM |
| Product or component type | Electronic pressure sensors |
| Pressure sensor type | Pressure transmitter |
| Pressure sensor name | XMLP |
| Electrical circuit type | Control circuit |
| Pressure sensor size | 689.48 kPa (100 psi) |
| Local display | Without |
| Controlled fluid | Fresh water 32...257 °F (0...125 °C) Air 5...257 °F (-15...125 °C) Gas 5...257 °F (-15...125 °C) Hydraulic oil 5...257 °F (-15...125 °C) |
| Fluid connection type | 1/4" - 18 NPT (male) |
| Electrical connection | 1 male connector M12 4 pins |
| [Us] rated supply voltage | 12...24 V DC SELV 7...33 V |
| Current consumption | < 23 mA |
| Type of output signal | Analogue |
| Quantity per set | Set of 1 |
| Type of packing | Individual |

Complementary

| | |
|---|--|
| Pressure setting range | 0.00...689.48 kPa (0...100 psi) |
| Maximum permissible accidental pressure | 1792.64 kPa (260 psi) |
| Destruction pressure | 2344.22 kPa (340 psi) |
| Materials in contact with fluid | Ceramic Stainless steel AISI 316L Fluorocarbon FPM |
| Operating position | Any position |
| Protection type | Reverse polarity Load short-circuit |
| Electromagnetic compatibility | Susceptibility to electromagnetic fields EN/IEC 61000-4-3 10 V/m 80...1000 MHz Radiated RF fields EN/IEC 61000-4-6 10 V 0.15...80 MHz Electrostatic discharge immunity test EN/IEC 61000-4-2 8 kV air, 4 kV contact 1.2/50 µs shock waves immunity test EN/IEC 61000-4-5 1 kV 42 Ohm Immunity to magnetic fields EN/IEC 61000-4-8 100 A/m 50 Hz Electrical fast transient/burst immunity test EN/IEC 61000-4-4 4 kV |
| [Uimp] rated impulse withstand voltage | 0.5 kV |
| Response time on output | <= 2 ms 92 % of full scale |
| Measurement accuracy | +/- 0.5 % of the measuring range |
| Drift of the sensitivity | +/- 0.02 % of measuring range/°K |
| Drift of the zero point | +/- 0.02 % of measuring range/°K |
| Long term stability | +/- 0.1 % of the measuring range |
| Mechanical durability | 10000000 cycles |
| Net weight | 0.17 lb(US) (0.075 kg) |
| Diameter | 1.02 in (26 mm) |
| Length | 1.19 in (30.2 mm) |

The information provided in this documentation contains general descriptions and/or technical characteristics of the performance of the products contained herein. This documentation is not intended as a substitute for and is not to be used for determining suitability or reliability of these products for specific user applications. It is the duty of any such user or integrator to perform the appropriate and complete risk analysis, evaluation and testing of the products with respect to the relevant specific application or use thereof. Neither Schneider Electric Industries SAS nor any of its affiliates or subsidiaries shall be responsible or liable for misuse of the information contained herein.

Environment

| | |
|---------------------------------------|---|
| Standards | EN/IEC 61326-2-3 NSF ANSI 61 |
| Product certifications | RCM CE EAC CULus |
| Ambient air temperature for operation | -22...185 °F (-30...85 °C) |
| Ambient air temperature for storage | -58...212 °F (-50...100 °C) |
| Shock resistance | 100 gn 11 ms EN/IEC 60068-2-27 |
| IP degree of protection | IP65 EN/IEC 60529 IP67 EN/IEC 60529 IP69K DIN 40050 |

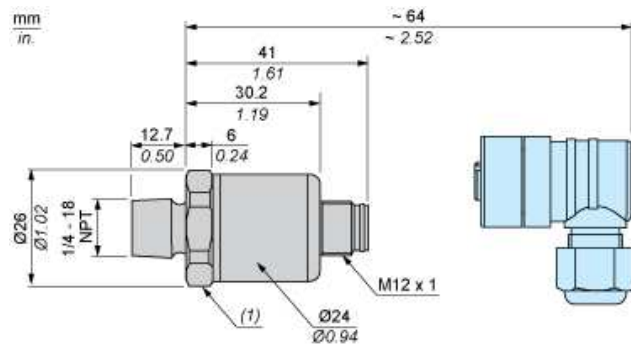
Ordering and shipping details

| | |
|---------------------|---|
| Category | 21561 - XMLK,XMLP PRESSURE TRANSMITTERS |
| Discount Schedule | DS2 |
| GTIN | 00785901833963 |
| Package weight(Lbs) | 0.08 kg (0.17 lb(US)) |
| Returnability | Yes |
| Country of origin | CH |

Offer Sustainability

| | |
|----------------------------|---|
| California proposition 65 | WARNING: This product can expose you to chemicals including: Diisononyl phthalate (DINP), which is known to the State of California to cause cancer, and Di-isodecyl phthalate (DIDP), which is known to the State of California to cause birth defects or other reproductive harm. For more information go to www.p65warnings.ca.gov |
| REACH Regulation | REACH Declaration |
| REACH free of SVHC | Yes |
| EU RoHS Directive | Pro-active compliance (Product out of EU RoHS legal scope) EU RoHS Declaration |
| Mercury free | Yes |
| RoHS exemption information | Yes |

Dimensions

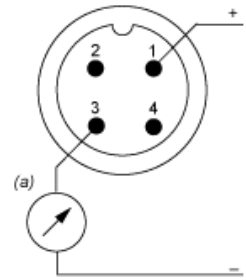


(1) SW24 tightening torque ≤ 25 N.m / 221 lb-in

Connection and Schema

Wiring Diagram

2-Wire Technique (4-20 mA)



(a) I out

Performance Curves

Curves

